

Two-way clamp mountings

Aluminium

SPECIFICATION

Aluminium

- matt, tumbled finish **MT**
- anodized black **ELS**

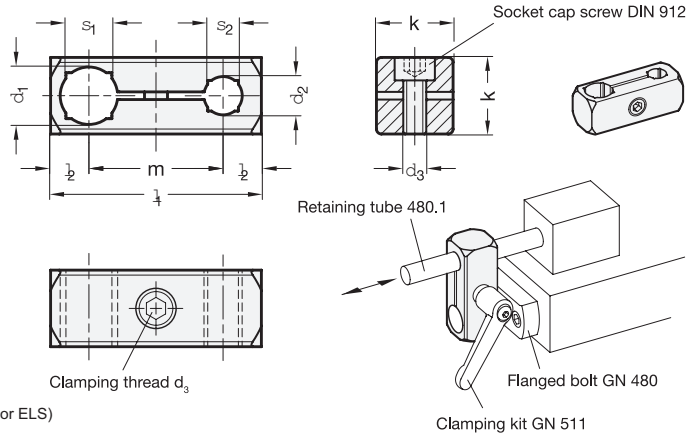
Socket cap screws DIN 912
Stainless Steel AISI 304

INFORMATION

The standard version of the clamping screw is a socket cap screw with hexagonal socket DIN 912. It can be replaced by a clamping kit GN 511 (see page 1893).

TECHNICAL INFORMATION

- Stainless Steel characteristics (see page A26)



* Complete with Finish of the Two-way clamp mountings (MT or ELS)

MT	ELS
matt, tumbled ground	anodized, black

GN 474.1

Description	d1 For shaft tolerance h11	d2 For shaft tolerance h11	k	d3	l1	l2	m	s1	s2	Clamping kits for d3	⚖
GN 474.1-B8-B8-*	B 8	B 8	14	M 4	38	7	24	-	-	GN 511-M4-14	16
GN 474.1-B10-B8-*	B 10	B 10	16	M 5	44	8	28	8	-	GN 511-M5-16	24
GN 474.1-B10-B10-*	B 10	B 10	16	M 5	44	8	28	8	8	GN 511-M5-16	23
GN 474.1-B12-B8-*	B 12	B 8	16	M 5	45	8	29	10	-	GN 511-M5-16	23
GN 474.1-B12-B10-*	B 12	B 10	16	M 5	45	8	29	10	8	GN 511-M5-16	21
GN 474.1-B12-B12-*	B 12	B 12	16	M 5	45	8	29	10	10	GN 511-M5-16	21
GN 474.1-B15-B10-*	B 15	B 10	20	M 6	55	10	35	12	8	GN 511-M6-20	45
GN 474.1-B15-B12-*	B 15	B 12	20	M 6	55	10	35	12	10	GN 511-M6-20	43
GN 474.1-B15-B15-*	B 15	B 15	20	M 6	55	10	35	12	12	GN 511-M6-20	40
GN 474.1-B16-B10-*	B 16	B 10	20	M 6	55	10	35	-	8	GN 511-M6-20	42
GN 474.1-B16-B12-*	B 16	B 12	20	M 6	55	10	35	-	10	GN 511-M6-20	42
GN 474.1-B16-B15-*	B 16	B 15	20	M 6	55	10	35	-	12	GN 511-M6-20	38
GN 474.1-B16-B16-*	B 16	B 16	20	M 6	55	10	35	-	-	GN 511-M6-20	38
GN 474.1-B20-B12-*	B 20	B 12	25	M 6	66	12.5	41	16	10	GN 511-M6-25	75
GN 474.1-B20-B15-*	B 20	B 15	25	M 6	66	12.5	41	16	12	GN 511-M6-25	75
GN 474.1-B20-B16-*	B 20	B 16	25	M 6	66	12.5	41	16	-	GN 511-M6-25	74
GN 474.1-B20-B20-*	B 20	B 20	25	M 6	66	12.5	41	16	16	GN 511-M6-25	66

Weight ELS

